



SE 4/29 MS5

SE 4/25 L PLC

> 97 dB max <  
> MULTI-TONE <  
> PLC READY <

ABS	50/60 Hz	-30 to +50 °C	IP30
ON	CLASS 2	SELF EXTINGUISHING	4W
5	97 dB max	370 mA max	
SE 4/29			
1	93 dB max	120 mA max	PLC READY
SE 4/25 PLC			

### SE 4/29 MS5 | PART NO

	GY
12/24V ACDC	50415
48V AC	50416
110V AC	50417
240V AC	50418

### SE 4/25 L PLC | PART NO

	GY
24V DC	50414

## SE 4 MS5 - PLC

Electronic sirens engineered for industrial applications.

Developed with 4W magnetodynamic unit, these devices are available in multi-tone version (SE 4/29 MS5), selectable via dip-switch, or with continuous sound for use with PLC (SE 4/25 L PLC).

The multi-tone version allows volume level (from min. to max.) and sound progression regulation (time required to reach the sound level set).

Ideal choice for industrial and civil applications, from general-purpose signalization to warning of impending dangers.

### KEY CHARACTERISTICS

#### NUMBER OF TONES

5 (Continuous, Two-tone, Multi-tone, Modulated, Two-tone for Evacuation)

SE 4/25 PLC: 1 (Continuous sound)

#### VOLTAGES

12/24V ACDC, 48V AC, 110V AC, 240V AC +/-10%

SE 4/25 PLC: 24V DC +/-10%

#### PROTECTION GRADE

IP30

#### OPERATING TEMPERATURE

-30/+50 °C

### MECHANICAL FEATURES

ABS body

Screw mounting (screws not included)

### ACOUSTIC FEATURES

4W magnetodynamic unit

5 tones selectable via dip-switch:

Continuous: 1000Hz

Two-tone: 600/700Hz

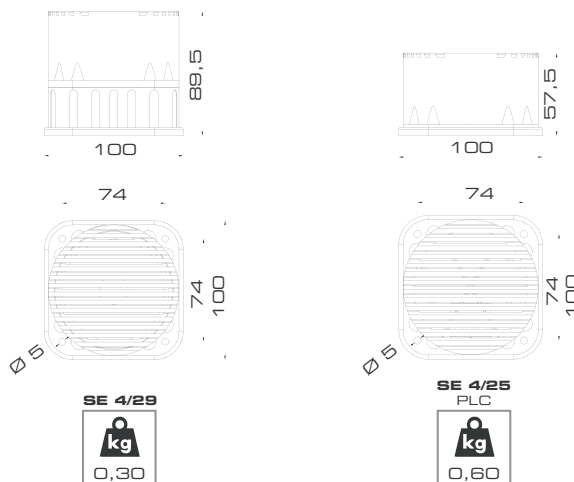
Multi-tone: 1000/1700Hz

Modulated: 1000/1700Hz

Two-tone for Evacuation: 440/560Hz

SE 4/25 PLC: Continuous (1000Hz)

### DRAWINGS, DIMENSIONS AND WEIGHTS



### CERTIFICATIONS



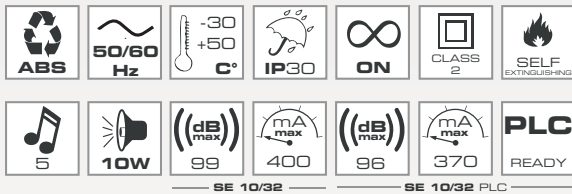
# SE 10 MS5



SE 10/32 MS5  
SE 10/32 MS5 PLC



> 99 dB max <  
> MULTI-TONE <  
> PLC READY <



## SE 10 MS5

Electronic sirens engineered for industrial applications.

Developed with 10W magnetodynamic unit, these devices are available in multi-tone version (SE 10/32 MS5), selectable via dip-switch, or multi-tone for use with PLC (SE 10/32 MS5 PLC).

These electronic sirens allow volume level (from min. to max.) and sound progression regulation (time required to reach the sound level set).

Ideal choice for industrial and civil applications, from general-purpose signalization to warning of impending dangers.

### KEY CHARACTERISTICS

#### NUMBER OF TONES

5 (Continuous, Two-tone, Multi-tone, Modulated, Two-tone for Evacuation)

#### VOLTAGES

12/24V ACDC, 48V AC, 110V AC, 240V AC +/-10%  
SE 10MS5 PLC: 24V DC +/-10%

#### PROTECTION GRADE

IP30

#### OPERATING TEMPERATURE

-30/+50 °C

### MECHANICAL FEATURES

ABS body

Screw mounting (screws not included)

### ACOUSTIC FEATURES

10W magnetodynamic unit

5 tones selectable via dip-switch:

Continuous: 1000Hz

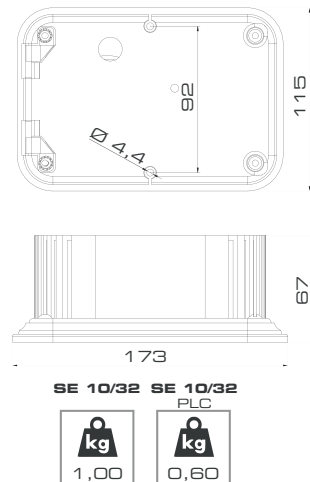
Two-tone: 600/700Hz

Multi-tone: 1000/1700Hz

Modulated: 1000/1700Hz

Two-tone for Evacuation: 440/560Hz

### DRAWINGS, DIMENSIONS AND WEIGHTS



#### SE 10/32 MS5 | PART NO

GY

12/24V ACDC	50419
48V AC	50420
110V AC	50421
240V AC	50422

#### SE 10/32 MS5 PLC | PART NO

GY

24V DC	50423
--------	-------

### CERTIFICATIONS



# SE 12 MS5

SE 12/30 MS5

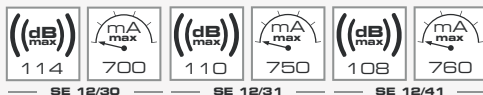
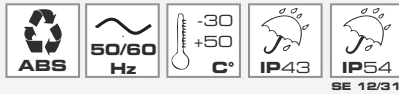


SE 12/31 MS5



SE 12/41 MS5

> 114 dB max <  
> MULTI-TONE <



**SE 12/30 MS5 | PART NO**

12/24V ACDC 50401

**SE 12/31 MS5 | PART NO**

12/24V ACDC 50402

**SE 12/41 MS5 | PART NO**

12/24V ACDC 50403  
48V AC 50402  
110V AC 50403  
240V AC 50404

## SE 12 MS5

Electronic sirens engineered for industrial applications.

Developed with 12W magnetodynamic unit, these electronic sirens benefit from five different tones, selectable via dip-switch. These electronic sirens allow volume level (from min. to max.) and sound progression regulation (time required to reach the sound level set).

Ideal choice for industrial applications, from general-purpose signalization to warning of impending dangers.

Three types available (SE 12/30, SE 12/31 and SE 12/41) according to the desired sound output.

### KEY CHARACTERISTICS

**NUMBER OF TONES**

5 (Continuous, Two-tone, Multi-tone, Modulated, Two-tone for Evacuation)

**VOLTAGES**

SE 12/30: 12/24V ACDC +/-10%  
SE 12/31: 12/24V ACDC +/-10%  
SE 12/41: 12/24V ACDC, 48V AC, 110V AC, 240V AC +/-10%,

**PROTECTION GRADE**

SE 12/30: IP43  
SE 12/31: IP54  
SE 12/41: IP43

**OPERATING TEMPERATURE**

-30/+50 °C

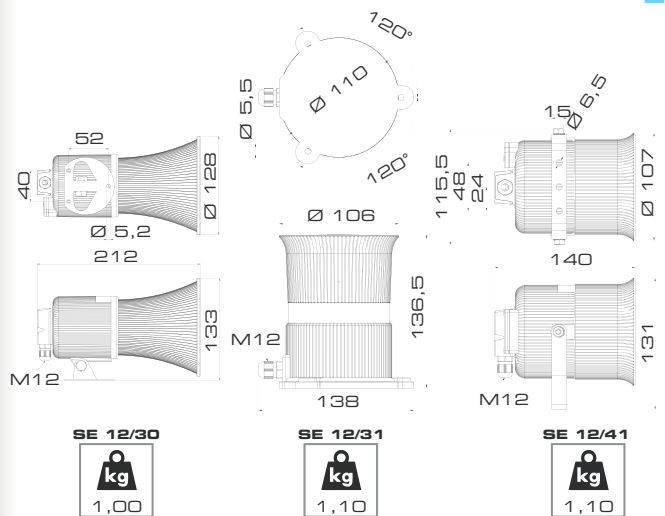
**MECHANICAL FEATURES**

ABS body and sound speaker  
Easy installation by means of the integrated fixing bracket (SE 12/30, SE 12/41) or screw mounting (SE 12/31) - screws not included

**ACOUSTIC FEATURES**

12W magnetodynamic unit  
5 tones selectable via dip-switch:  
Continuous: 1000Hz  
Two-tone: 600/700Hz  
Multi-tone: 1000/1700Hz  
Modulated: 1000/1700Hz  
Two-tone for Evacuation: 440/560Hz

**DRAWINGS, DIMENSIONS AND WEIGHTS**



**CERTIFICATIONS**



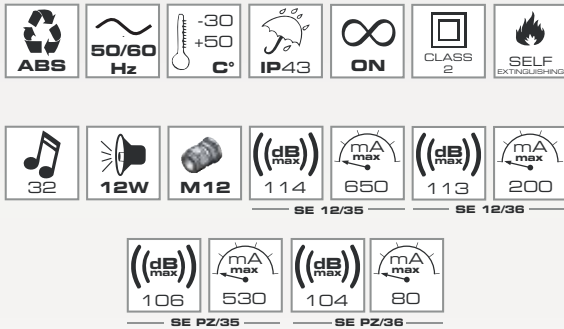
# SE 12 MS32



SE 12/35 MS32  
SE PZ/35 MS32

SE 12/36 MS32  
SE PZ/36 MS32

> 114 dB max <  
> MULTI-TONE <



## SE 12/35 MS32 | PART NO

12/24V ACDC      GY  
50424

## SE 12/36 MS32 | PART NO

48V AC              GY  
50425  
110V AC            50426  
240V AC            50427

## SE PZ/35 MS32 | PART NO

12/24V ACDC      GY  
50428

## SE PZ/36 MS32 | PART NO

48V AC              GY  
50429  
110V AC            50430  
240V AC            50431

## SE 12 MS32

Electronic sirens engineered for industrial applications.

Developed with 12W magnetodynamic unit (SE 12/35, SE 12/36) and with piezoelectrical unit (SE PZ/35, SE PZ/36).

These electronic sirens benefit from 32 different tones, selectable via dip-switch and allow volume level (from min. to max.) and sound progression regulation (time required to reach the sound level set).

Ideal choice for industrial applications, from general-purpose signalization to warning of impending dangers.

## KEY CHARACTERISTICS

**NUMBER OF TONES**  
32 (Mixed tones)

### VOLTAGES

SE 12/35 - SE PZ/35: 12/24V ACDC +/-10%

SE 12/36 - SE PZ/36: 48V AC, 110V AC, 240V AC +/-10%

**PROTECTION GRADE**  
IP43

**OPERATING TEMPERATURE**  
-30/+50 °C

## MECHANICAL FEATURES

ABS body and sound speaker

Easy installation by means of the integrated fixing bracket

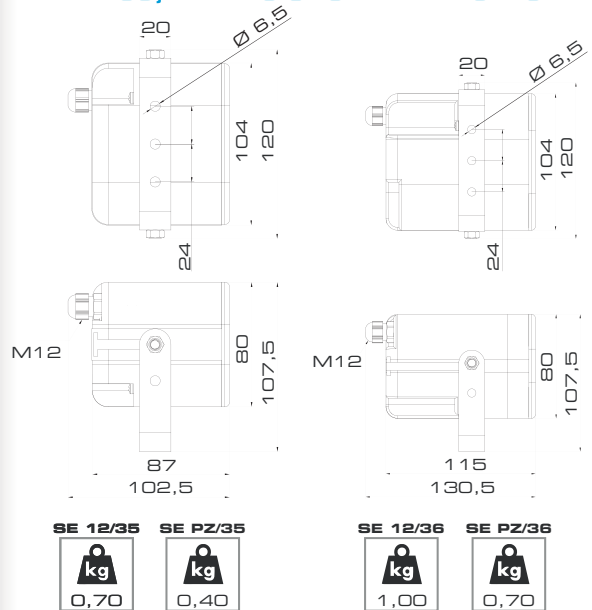
## ACOUSTIC FEATURES

SE 12/35 and SE 12/36: 12W magnetodynamic unit

SE PZ/35 and SE PZ/36: piezoelectrical unit

32 tones selectable via dip-switch (frequency range 300/2850Hz)

## DRAWINGS, DIMENSIONS AND WEIGHTS



## CERTIFICATIONS



# SE 25 MS5



SE 25/50 MS5



SE 25/51 MS5



> 116 dB max <  
> MULTI-TONE <



SE 25/50

SE 25/51

## SE 25 MS5

Electronic sirens engineered for industrial applications.

Developed with 25W magnetodynamic unit, these electronic sirens benefit from five different tones, selectable via dip-switch. These electronic sirens allow volume level (from min. to max.) and sound progression regulation (time required to reach the sound level set).

Ideal choice for industrial applications, from general-purpose signalization to warning of impending dangers.

Two types available (SE 25/50, SE 25/51) according to the desired sound output.

### KEY CHARACTERISTICS

#### NUMBER OF TONES

5 (Continuous, Two-tone, Multi-tone, Modulated, Two-tone for Evacuation)

#### VOLTAGES

12/24V ACDC, 48V AC, 110V AC, 240V AC +/-10%

#### PROTECTION GRADE

IP43

#### OPERATING TEMPERATURE

-30/+50 °C

### MECHANICAL FEATURES

ABS body and sound speaker

Easy installation by means of the integrated fixing bracket

### ACOUSTIC FEATURES

25W magnetodynamic unit. 5 tones selectable via dip-switch:

Continuous: 1000Hz

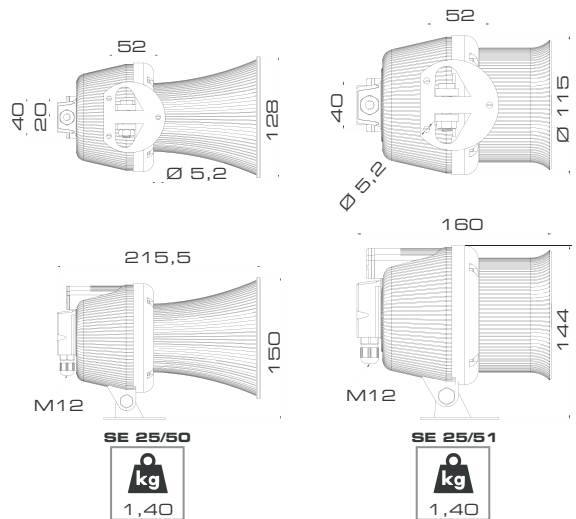
Two-tone: 600/700Hz

Multi-tone: 1000/1700Hz

Modulated: 1000/1700Hz

Two-tone for Evacuation: 440/560Hz

### DRAWINGS, DIMENSIONS AND WEIGHTS



#### SE 25/50 MS5 | PART NO

GY

12/24V ACDC	50410
48V AC	50411
110V AC	50412
240V AC	50413

#### SE 25/51 MS5 | PART NO

GY

12/24V ACDC	50406
48V AC	50407
110V AC	50408
240V AC	50409

### CERTIFICATIONS

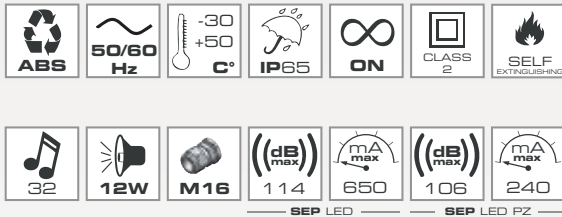




SEP LED MS32  
SEP LED MS32 PZ



> 114 dB max <  
> MULTI-TONE <  
> with LED LIGHT <



## SEP LED MS32

Multifunctional electronic sirens with LED light engineered for industrial applications.

Developed with 12W magnetodynamic unit (SEP LED MS32) and with piezoelectrical unit (SEP LED MS32 PZ).

These electronic sirens benefit from 32 different tones, selectable via dip-switch and allow volume level (from min. to max.) and sound progression regulation (time required to reach the sound level set).

Ideal choice for industrial applications, from general-purpose signalization to warning of impending dangers.

### KEY CHARACTERISTICS

#### NUMBER OF TONES

32 (Mixed tones)

#### VOLTAGES

24V ACDC, 110V AC, 240V AC +/-10%

#### PROTECTION GRADE

IP65

#### OPERATING TEMPERATURE

-30/+50 °C

### MECHANICAL FEATURES

ABS body and sound speaker  
Wall mounting (screws not included)

### ACOUSTIC FEATURES

SEP LED MS32: 12W magnetodynamic unit

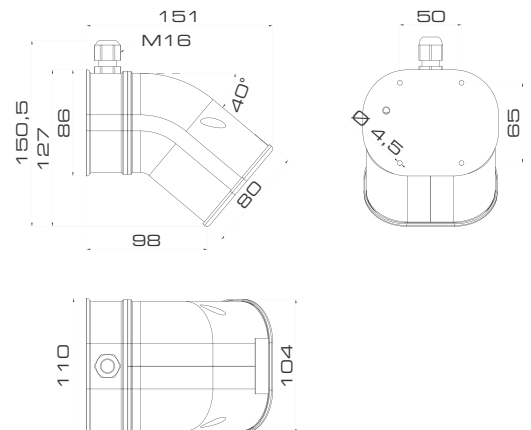
SEP LED MS32 PZ: piezoelectrical unit

32 tones selectable via dip-switch (frequency range 300/2850Hz)

### OPTICAL FEATURES

8 red LEDs producing a flashing light effect

### DRAWINGS, DIMENSIONS AND WEIGHTS



SEP LED	SEP LED 24V	SEP LED PZ	SEP LED PZ 24V
kg	kg	kg	kg
0,98	0,75	0,52	0,41

### SEP LED MS32 | PART NO

GY

24V ACDC	50901
110V AC	50903
240V AC	50904

### SEP LED MS32 PZ | PART NO

GY

24V ACDC	50911
110V AC	50913
240V AC	50914

### CERTIFICATIONS

