

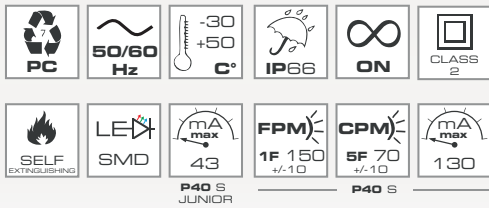
# P40 S



P40 S  
P40 JUNIOR



> BRIGHT LED <  
> MULTIFUNCTIONAL <  
> HIGH IP GRADE <



## P40 S | PART NO

	Blue	Orange	Red	Green	Yellow	White
GY	<b>12/24V ACDC</b>					
	91131	91132	91133	91134	91135	91136
BK	<b>48/240V AC</b>					
	91151	91152	91153	91154	91155	91156
BK	<b>12/24V ACDC</b>					
	91141	91142	91143	91144	91145	91146
BK	<b>48/240V AC</b>					
	91161	91162	91163	91164	91165	91166

## P40 JUNIOR | PART NO

	Blue	Orange	Red	Green	Yellow	White
GY	<b>12/24V ACDC</b>					
	91221	91222	91223	91224	91225	91226
BK	<b>90/240V AC</b>					
	91241	91242	91243	91244	91245	91246
BK	<b>12/24V ACDC</b>					
	91231	91232	91233	91234	91235	91236
BK	<b>90/240V AC</b>					
	91251	91252	91253	91254	91255	91256

## P40 S

Multifunctional LED beacon engineered for panel mounting.

Developed with a multichannel technology, the device allows three different light effects (steady, flashing, strobe) controllable via independent electric contacts.

## KEY CHARACTERISTICS

### LIGHT EFFECTS

P40 S: STEADY, FLASHING, STROBE

P40 JUNIOR: STEADY

### VOLTAGES

P40 S: 12/24V ACDC, 48/240V AC +/-10%

P40 JUNIOR: 12/24V ACDC, 90/240V AC +/-10%

### PROTECTION GRADE

IP66

### OPERATING TEMPERATURE

-30/+50 °C

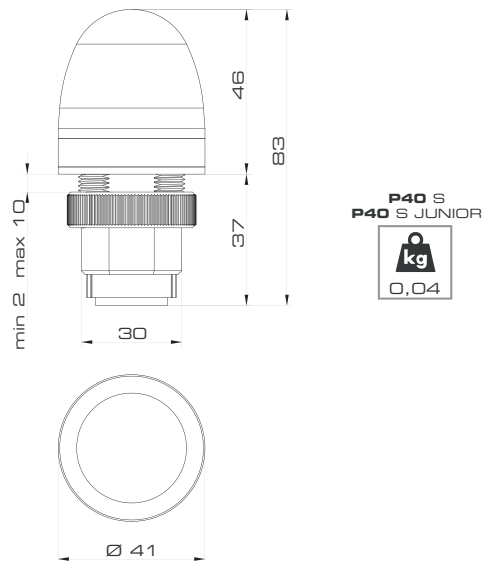
## MECHANICAL FEATURES

Self-extinguishing PC body totally protected against vibrations, dust and atmospheric elements. Weather protection guaranteed by EPDM o-ring on dome and polyurethane gasket on base. Can be panel mounted through a 30mm hole and secured with the locking ring provided

## OPTICAL FEATURES

4 bright LEDs. Polycarbonate dome with 360 degrees light-diffusion design in conjunction with a light-concentrating lens on the top of the device to maximize frontal performance

## DRAWINGS, DIMENSIONS AND WEIGHTS



## CERTIFICATIONS





P40 RGA

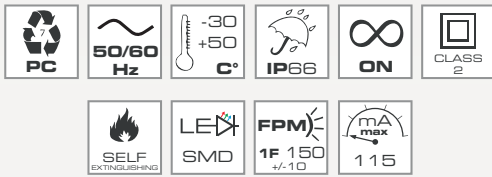


DOME



BASES

> MULTICOLOR LED <  
> 3 SELECTABLE COLORS <  
> HIGH IP GRADE <



## P40 RGA

Multicolor LED beacon engineered for panel mounting.

Developed with a multichannel technology, the device allows three different colors (red, amber, green) controllable via independent electric contacts. Available in steady or flashing version.

### KEY CHARACTERISTICS

#### LIGHT EFFECTS

STEADY: STEADY LIGHT

FLASHING: FLASHING LIGHT

#### VOLTAGES

12/24V ACDC, 48/240V AC +/-10%

#### PROTECTION GRADE

IP66

#### OPERATING TEMPERATURE

-30/+50 °C

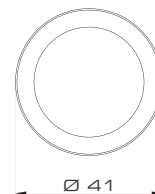
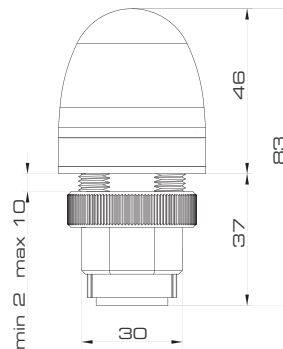
### MECHANICAL FEATURES

Self-extinguishing PC body totally protected against vibrations, dust and atmospheric elements. Weather protection guaranteed by EPDM o-ring on dome and polyurethane gasket on base. Can be panel mounted through a 30mm hole and secured with the locking ring provided

### OPTICAL FEATURES

1 bright RGA multicolor LED. Polycarbonate opaline dome for a smooth coloring of the device according to the selected color

### DRAWINGS, DIMENSIONS AND WEIGHTS



### P40 RGA | PART NO

		STEADY	FLASHING
GY	12/24V ACDC	91167	91168
	48/240V AC	91171	91172
BK	12/24V ACDC	91169	91170
	48/240V AC	91173	91174

### CERTIFICATIONS

