

M-LINE | BASES

Modular Bases / LT and HT






IP 65

Sirena has developed **THREE** unique multi-tension modular bases with two ranges of voltage: **HIGH TENSION** and **LOW TENSION** offering a total of **FIVE** different options: a perfect fit for each application.

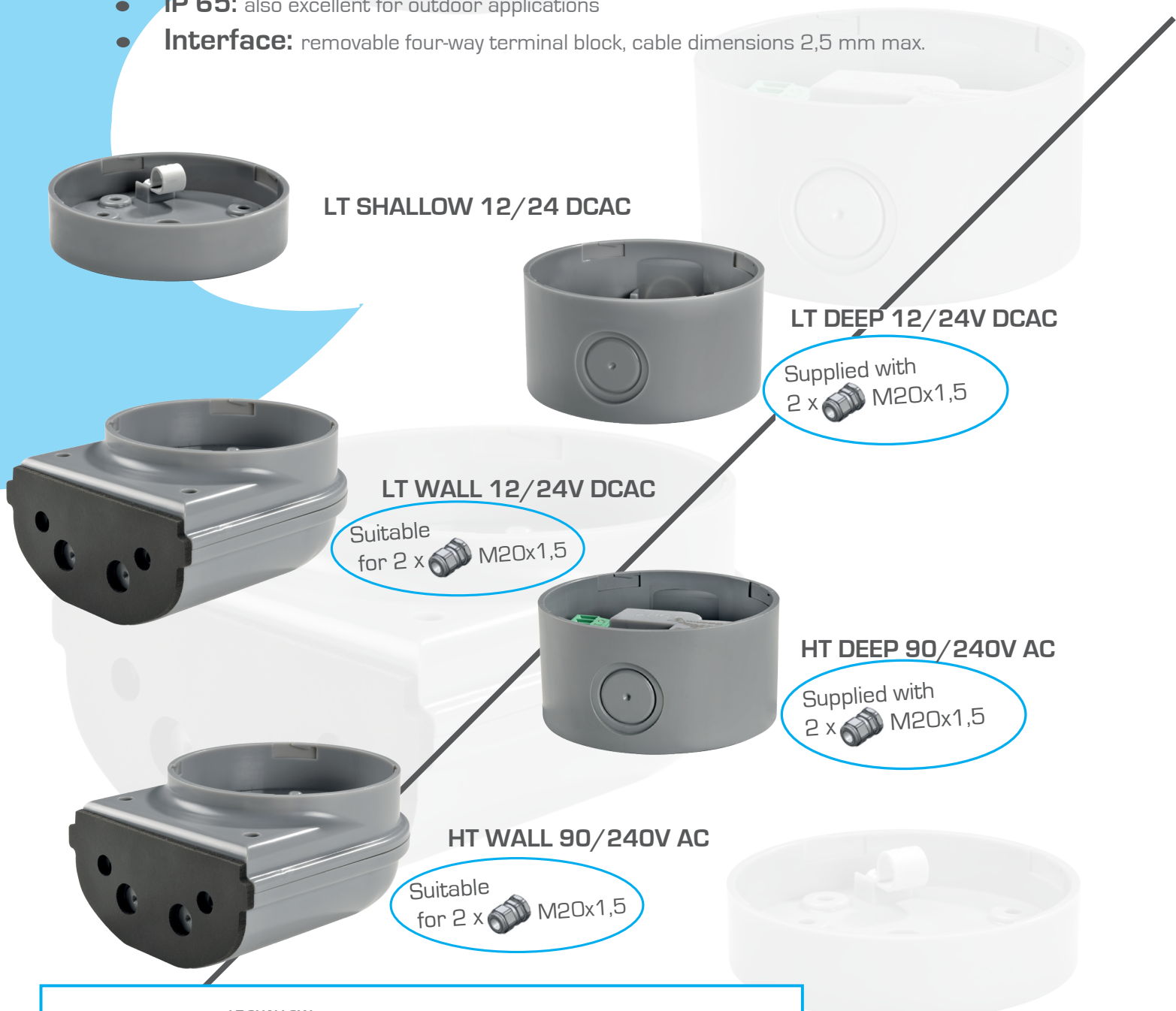


Modular Bases

LT / HT BASES

-  **The SHALLOW base**, [available in 12/24V DCAC] is the ideal choice for all flat mounting applications where cabling occurs from the bottom of the signaling device and where a more compact design is required.
-  **The DEEP base**, [available in 12/24V DCAC and 90/240V AC], offers the possibility to install two cable glands [supplied] M20x1,5 on the sides of the base. This is the ideal choice when cabling from the bottom of the device is not possible or when an "in-series" installation is required.
-  **The WALL base**, [available in 12/24V DCAC and 90/240V AC], is suitable for inserting two cable glands M20x1,5 in the lower part of the structure and is the ideal choice for "on-wall" installations.

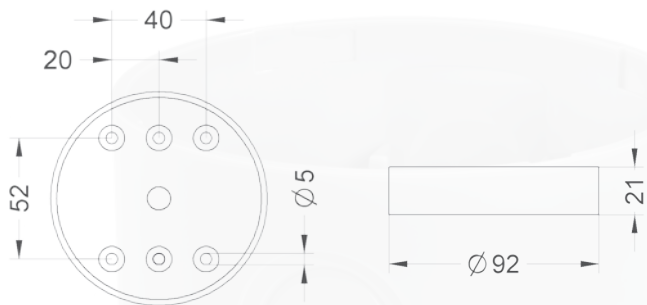
- **Polycarbonate base in MAKROLON (RAL 7001)**
- **Base Gasket: POLYURETHANE (FKM 3075)**
- **IP 65:** also excellent for outdoor applications
- **Interface:** removable four-way terminal block, cable dimensions 2,5 mm max.



	LT SHALLOW 12/24V DCAC	LT DEEP 12/24V DCAC	LT WALL 12/24V DCAC	HT DEEP 90/240V AC	HT WALL 90/240V AC
CODES	90367	90368	90370	90369	90371

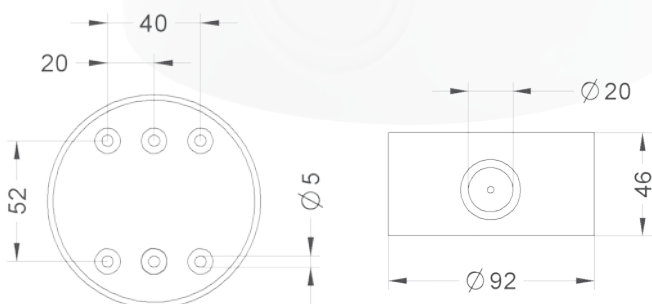
Modular Bases

BASES LT / HT



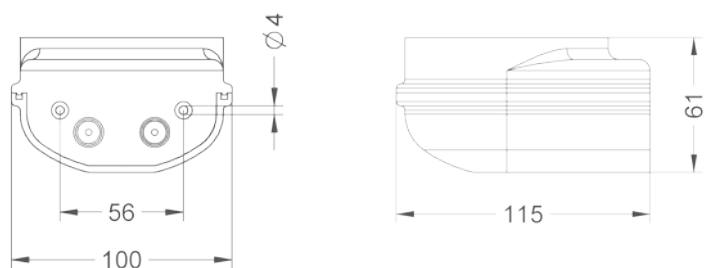
LT SHALLOW 12/24V DCAC
Kg 0,04

Box Size 93x24x92 mm
Box weight: Kg 0,15



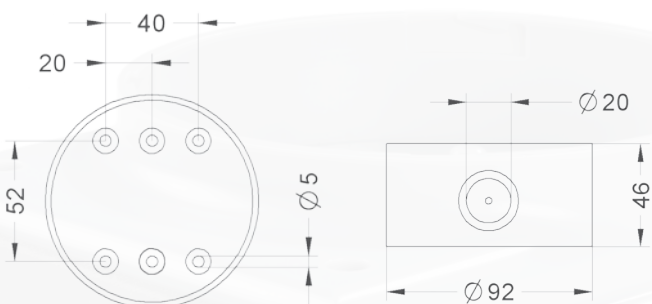
LT DEEP PG 12/24V DCAC
Kg 0,08

Box Size 92x92x65 mm
Box weight: Kg 0,25



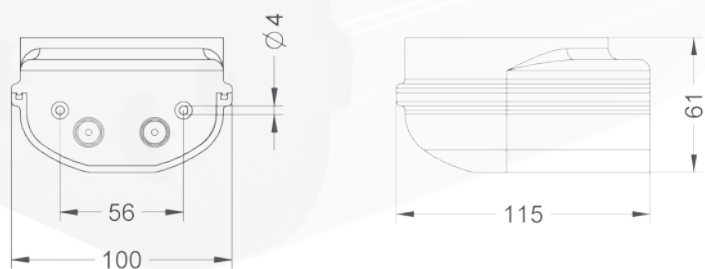
LT WALL 12/24V DCAC
Kg 0,15

Box Size 101x63x118 mm
Box weight: Kg 0,30




HT DEEP PG 90/240V AC
Kg 0,11

Box Size 92x92x65 mm
Box weight: Kg 0,25



HT WALL 90/240V DCAC
Kg 0,19

Box Size 101x63x118 mm
Box weight: Kg 0,30

 Cable Gland M20x1,5: minimum dimensions of the cable 6 mm
maximum dimensions of the cable 13 mm

Direzione e sede : Corso Moncalisio 5-10-12-14-16 - 10090 POSTA (Torino) Italia - Tel. 011 95.68.555 - Int. +39.011 95.68.555 - Fax 011 95.67.928 - 011 95.68.595 - Fax Export +39.011 95.68.597 -
 E-mail: sirenaspas@sirenait - www.sirenait - R.E.A. 487901 - MECC. TO 02/549 - Registro Imprese TO - C.F. 01047730013 - Partita IVA comunicata: IT 01047730013 - Capitale sociale € 5.000.000 di cui versato € 5.000.000
 Ref. DS/BASE/ENG. 1.1.11
 We reserve the right to change specifications without notification.