



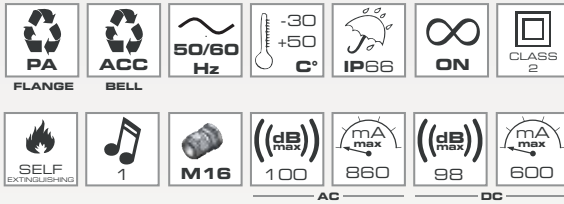
SIAD 165



SIAD 215



> DIAMETERS 165mm and 215mm <
> 100 dB max <
> HIGH IP GRADE <



SIAD 165 | PART NO

AC	RD	GY
12V AC	54200	54207
24V AC	54201	54208
48V AC	54202	54209
60V AC	54203	54210
110V AC	54204	54211
240V AC	54206	54213

DC	RD	GY
12V DC	54214	54221
24V DC	54215	54222
48V DC	54216	54223
60V DC	54217	54224
110V DC	54218	54225
240V DC	54220	54227

SIAD 215 | PART NO

AC	RD	GY
12V AC	54228	54235
24V AC	54229	54236
48V AC	54230	54237
60V AC	54231	54238
110V AC	54232	54239
240V AC	54234	54241

DC	RD	GY
12V DC	54242	54249
24V DC	54243	54250
48V DC	54244	54251
60V DC	54245	54252
110V DC	54246	54253
240V DC	54248	54255

SIAD

Electromechanical industrial bell with reinforced base, available with diameter 165mm or 215mm.

Developed with acoustic electromagnetic unit with vibrating piston, the device generates a characteristic continuous sound.

The rugged steel structure of the bell provides high impact resistance and excellent protection against dust and water (IP66), suitable also for heavy duty applications.

KEY CHARACTERISTICS

NUMBER OF TONES
1 (Continuous Sound)

VOLTAGES

AC: 12V AC, 24V AC, 48V AC, 60V AC, 110V AC, 240V AC +/-10%

DC: 12V DC, 24V DC, 48V DC, 60V DC, 110V DC, 240V DC +/-10%

PROTECTION GRADE

IP66

OPERATING TEMPERATURE

-30/+50 °C

MECHANICAL FEATURES

Steel bell and polyamide flange

Provided with flat base. Screw mounting (screws not included)

ACOUSTIC FEATURES

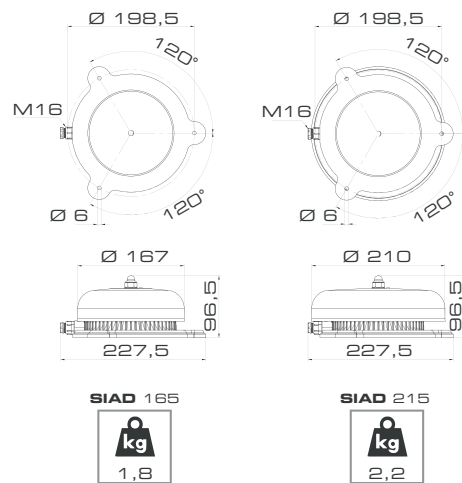
Electromagnetic unit with vibrating piston

Continuous Sound

Frequency **SIAD 165:** 1500/10000Hz

Frequency **SIAD 215:** 1000/15000Hz

DRAWINGS, DIMENSIONS AND WEIGHTS



CERTIFICATIONS





CEAD 165



> **DIAMETER 165mm** <
> **100 dB max** <
> **HIGH IP GRADE** <

PA FLANGE	ACC BELL	50Hz*	-30 +50 C°	IP66	ON	CLASSE 2
SELF EXTINGUISHING	1	M16	(dB) max 100		(mA) max 860	
			AC		DC	

*60Hz available on request

CEAD

Electromechanical industrial bell with reinforced base and diameter 165mm.

Developed with acoustic electromagnetic unit with vibrating piston, the device generates a characteristic continuous sound.

The rugged steel structure of the bell provides high impact resistance and excellent protection against dust and water (IP66), suitable also for heavy duty applications.

KEY CHARACTERISTICS

NUMBER OF TONES
1 (Continuous Sound)

VOLTAGES

AC: 12V AC, 24V AC, 48V AC, 60V AC, 110V AC, 240V AC +/-10%

DC: 12V DC, 24V DC, 48V DC, 60V DC, 110V DC, 240V DC +/-10%

PROTECTION GRADE
IP66

OPERATING TEMPERATURE
-30/+50 °C

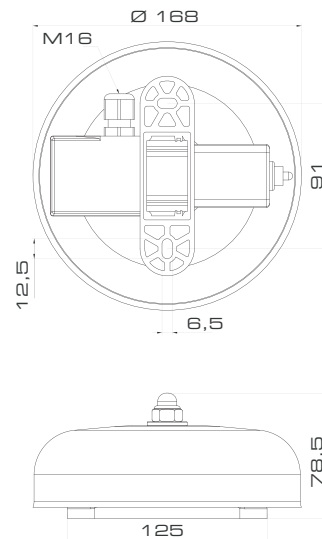
MECHANICAL FEATURES

Steel bell and polyamide flange
Screw mounting (screws not included)

ACOUSTIC FEATURES

Electromagnetic unit with vibrating piston
Continuous Sound
Frequency: 2000/12000Hz

DRAWINGS, DIMENSIONS AND WEIGHTS



CEAD 165 | PART NO

AC	RD	GY
12V AC	54090	54070
24V AC	54091	54071
48V AC	54092	54072
60V AC	54093	54073
110V AC	54094	54074
240V AC	54096	54076
DC	RD	GY
12V DC	54097	54080
24V DC	54098	54081
48V DC	54099	54082
60V DC	54100	54083
110V DC	54101	54084
240V DC	54102	54087

CERTIFICATIONS

